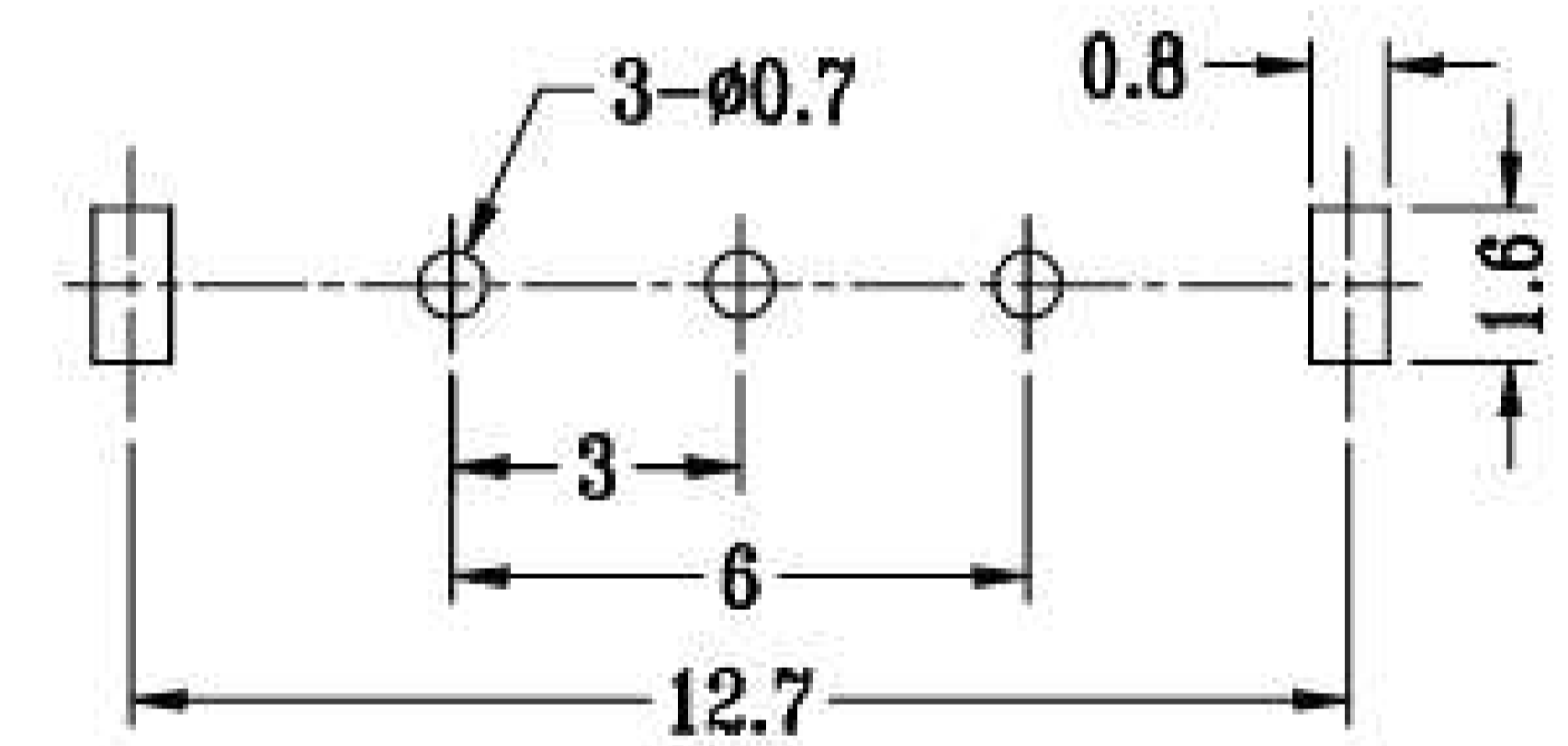
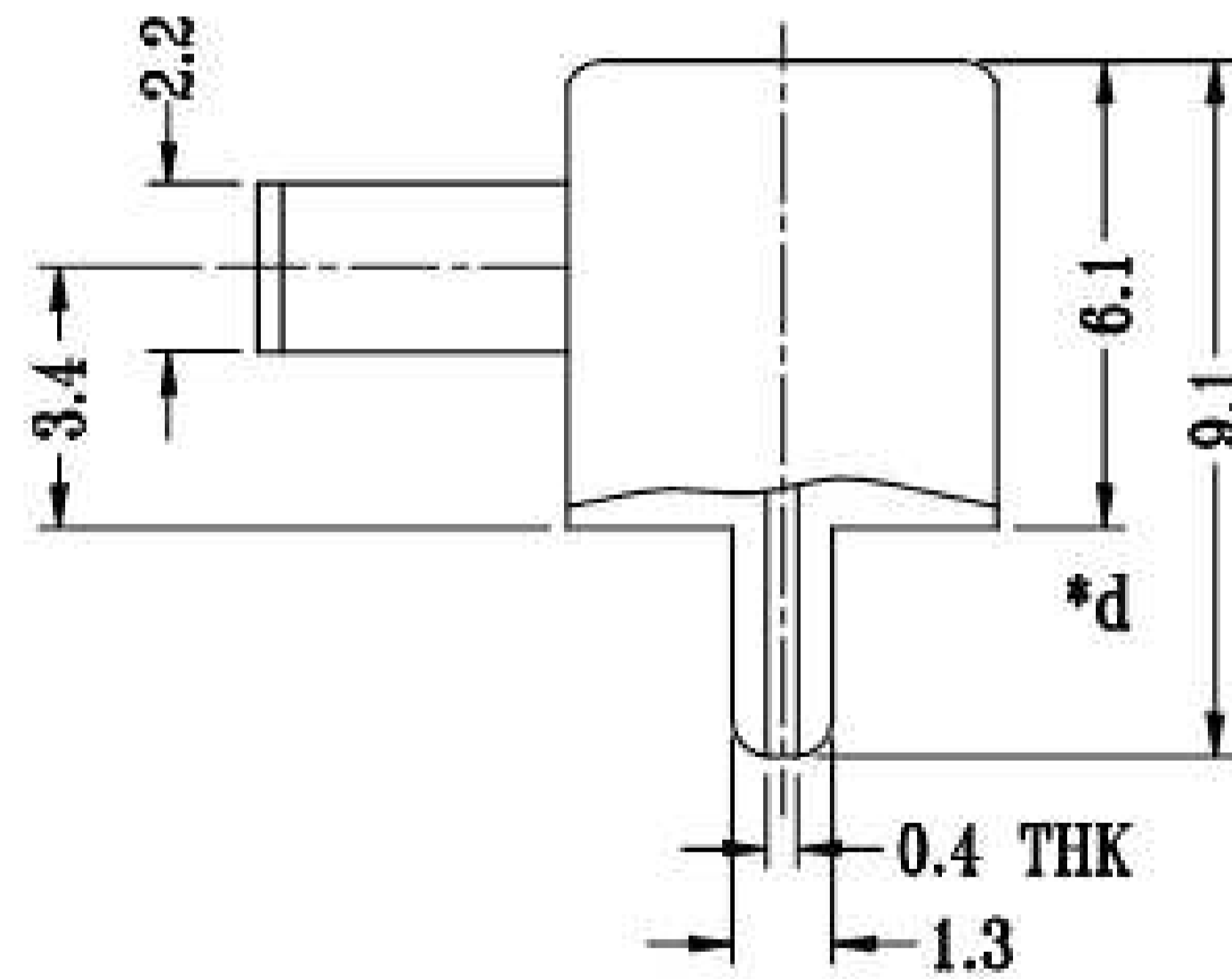
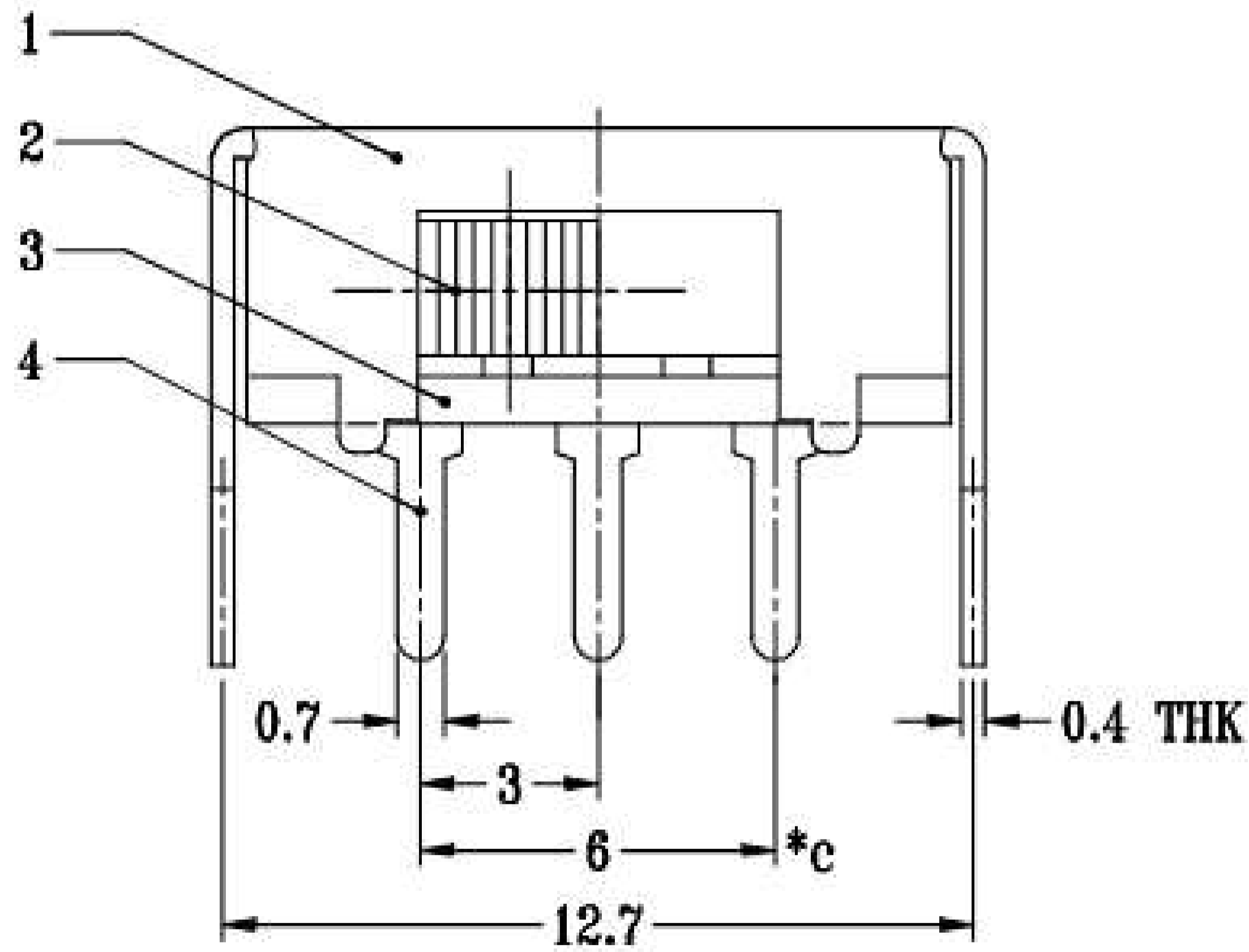


**SCHEMATIC (NON-SHORTING)**



**P.C.B LAYOUT  
BOTTOM VIEW**

注：“\*”表示关键尺寸（4个）。

6	SPRING	STEEL WIRE	1	TEMPER
5	CONTACT	BRASS STRIP	1	Ag PLATED
4	TERMINAL	BRASS STRIP	3	Ag PLATED OVER Ni PLATED
3	BASE	PHENOLIC RESIN	1	NATURAL
2	KNOB	POM	1	BLACK
1	FRAME	STEEL STRIP	1	Ni PLATED
NO.	PARTS	MATERIALS	Q'TY	FINISH

new		2015/5/3	A	瀚源	
ECN BO.		DESCRIPTION.	DATE.		REV.
DESIGNED	CHECKED	APPROVAL	DRAWING NUMBER	SCALE: 1/2	SCALE: 3:1
Mikey	Tom	Jerry	PART NAME	UNLESS OTHERWISE SPECIFIED, TOLERANCE:	X. ±0.25
			MODEL NAME		X.X ±0.20
			3RD ANGLE PROJ	HanElectricity Co.,LTD	X.XX ±0.15
					ANGULAIR ±3
				FILE NO.	