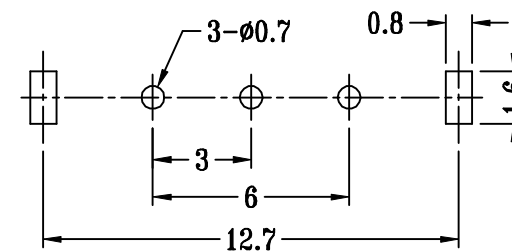
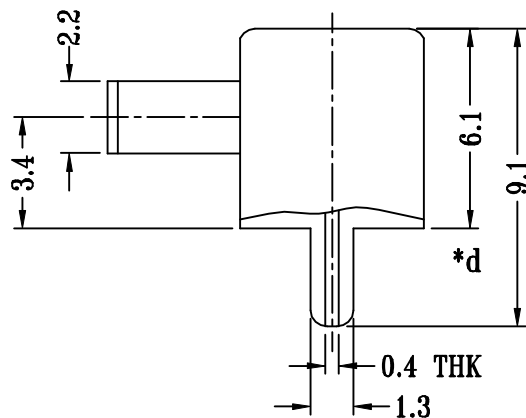
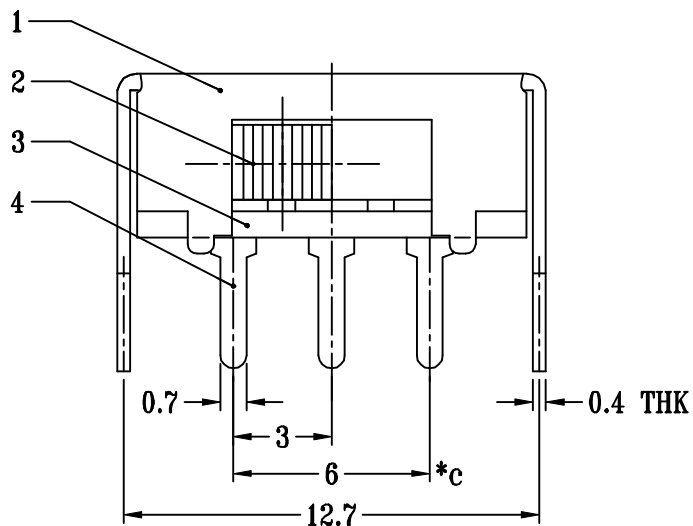


**SCHEMATIC (NON-SHORTING)**

**SK12F14G X**

H(mm) : 2~12



**P.C.B LAYOUT  
BOTTOM VIEW**

注：“\*”表示关键尺寸（4个）。

|     |          |                |      |                          |
|-----|----------|----------------|------|--------------------------|
| 6   | SPRING   | STEEL WIRE     | 1    | TEMPER                   |
| 5   | CONTACT  | BRASS STRIP    | 1    | Ag PLATED                |
| 4   | TERMINAL | BRASS STRIP    | 3    | Ag PLATED OVER Ni PLATED |
| 3   | BASE     | PHENOLIC RESIN | 1    | NATURAL                  |
| 2   | KNOB     | POM            | 1    | BLACK                    |
| 1   | FRAME    | STEEL STRIP    | 1    | Ni PLATED                |
| NO. | PARTS    | MATERIALS      | Q'TY | FINISH                   |

|          |         |              |                |                        |  |            |
|----------|---------|--------------|----------------|------------------------|--|------------|
| ECN BO.  |         | DESCRIPTION. |                | DATE.                  | REV.                                   | 瀚源         |
| DESIGNED | CHECKED | APPROVAL     | DRAWING NUMBER |                        | SCALE: 1/2                             |            |
| Mikey    | Tom     | Jerry        | PART NAME      | SK12F14G X             | UNLESS OTHERWISE SPECIFIED, TOLERANCE: | X. ±0.25   |
|          |         |              | MODEL NAME     | SK12F14G X             |  | X.xx ±0.20 |
|          |         |              | 3RD ANGLE PROJ | HanElectricity Co.,LTD |  | X.00 ±0.15 |
|          |         |              |                | FILE NO.               |  |            |